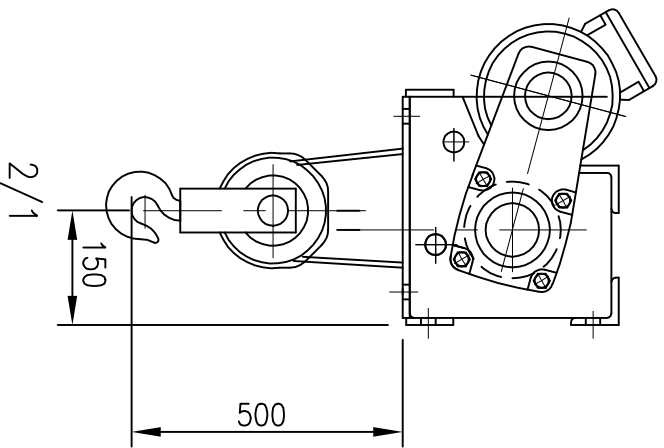
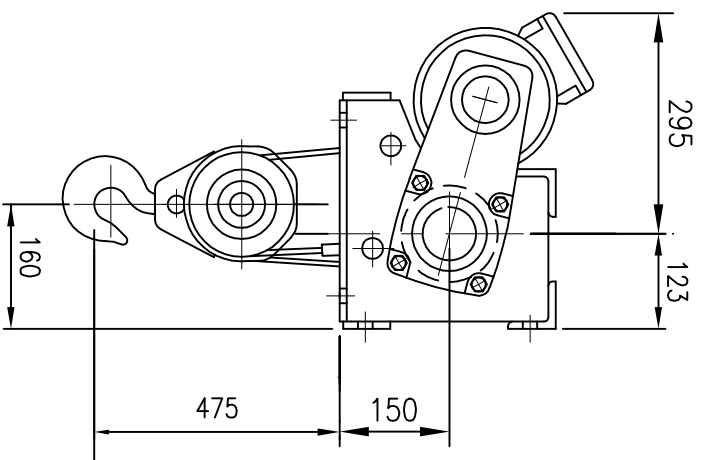


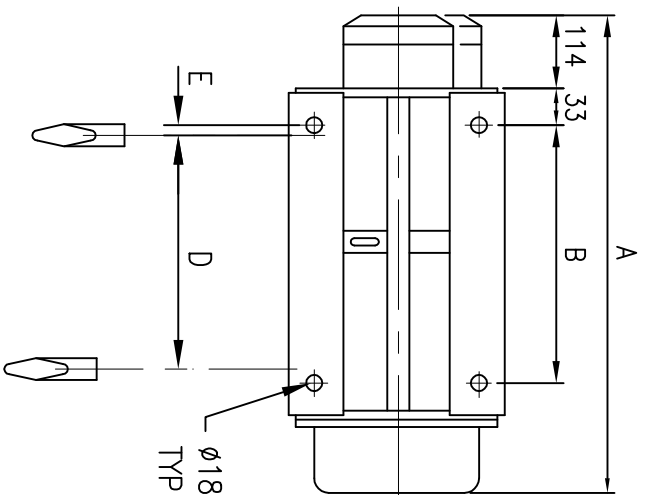
CAPACITY 0.8 Tonne  
 8 MDa 1.1.2.Y  
 LIFT SPEED : 17/2.4 mpm.



CAPACITY 1.6 Tonne  
 16 MDa 2.1.2.Y  
 LIFT SPEED : 8.5/1.2 mpm.



CAPACITY 3.2 Tonne  
 32 MDa 4.1.2.Y  
 LIFT SPEED : 4.3/0.6 mpm.



TYPE	DRUM		ROPE	LIFTING HEIGHT	MECH GROUP		WEIGHT			DIMENSION in mm.											
	ROPE PCD.	PITCH			M3	M4	'A'	'B'	'D'		'E'										
	$\phi$ mm.	mm.	$\phi$ mm.	m.	m.	m.	Kg	Kg	mm.	mm.	mm.	mm.	mm.	mm.	mm.						
MDa	2	132	8	7	26	13	6.5	29	30	30.8	110	110	120	990	600	512	256	128	30	65	110

REV. DESCRIPTION BY DATE

COPYRIGHT

THIS DESIGN & PRINT IS THE PROPERTY OF HYDROMECH PVT.LTD. AND MUST NOT BE COPIED IN ANY FORM.



**HYDROMECH LTD.**  
 A.C.N. 060 136 313

TITLE: HOIST ASSEMBLY MALLAWA MODEL MDa FOOT MOUNTED

DATE	17/9/96	DRAWING NUMBER	A-H-816
DRAWN	R.V.L.	CHK'D	GLH
SCALE	7.5 : 1	SHEET SIZE	A3